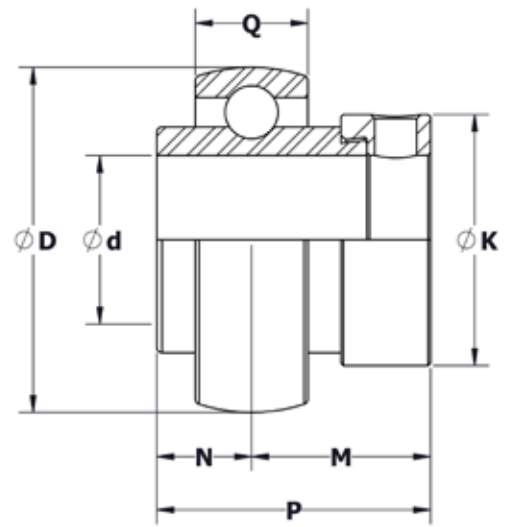


# Eccentric Style Ball Bearing Insert - CHOICE SERIES



## Series "4U"

Available as insert only or assembled in housing



Materials of EDT Stainless Steel Insert Bearings	
Available styles	Eccentric (U)
Races and balls	440C SS
Retainer (cage), flinger	300-series SS
Collar	300-series SS
Seals	Silicon rubber (single lip)
Grade of balls	G16
Grease	Food-grade grease or solid lubricant with seals and flingers as appropriate



### More Sizes / Styles

Inserts pgs F-5 to F-9  
 Eccentric inserts in SS or KG: pgs F-10 to F-34  
 QuiKlean® eccentric: pgs F-34 to F-47  
 Set screw inserts in SS or KG: pgs F-48 to F-72  
 QuiKlean® set screw: pgs F-72 to F-85

"x" indicates a 2-letter designation for lube & seals

PART NUMBER	Ød	ØD	ØK	M	N	P	Q	1 ea ss set screw	Wt.
	Shaft Diameter	in. mm	in. mm	in. mm	in. mm	in. mm	in. mm		lbs.
4U203-08 X 4U203-10 X	1/2" 5/8"	1.575 40	1.13 28.6	0.91 23.1	0.39 10.0	1.30 33.1	0.59 15.0	10-32	0.29
4U204-10 X 4U204-12 X 4U204-20M X	5/8" 3/4" 20mm	1.850 47	1.31 33.3	1.05 26.6	0.5 12.7	1.55 39.3	0.67 17.0	1/4-28	0.42
4U205-25M X 4U205-16 X	25mm 1"	2.047 52	1.50 38.1	1.06 26.9	0.56 14.3	1.62 41.2	0.67 17.0	1/4-28	0.50
4U206-30M X 4U206-19 X 4U206-20 X	30mm 1-3/16" 1-1/4"	2.441 62	1.75 44.5	1.19 30.1	0.63 15.9	1.81 46.0	0.75 19.0	5/16-24	0.80
4U207-20 X 4U207-22 X 4U207-23 X	1-1/4" 1-3/8" 1-7/16"	2.835 72	2.19 55.6	1.27 32.3	0.69 17.5	1.96 49.8	0.79 20.0	5/16-24	1.28
4U208-24 X 4U208-40M X	1-1/2" 40mm	3.150 80	2.37 60.3	1.37 34.9	0.75 19.0	2.12 53.9	0.87 22.0	5/16-24	1.71
4U209-28 X	1-3/4"	3.346 85	2.50 63.5	1.37 34.9	0.75 19.0	2.12 53.9	0.87 22.0	5/16-24	1.70
4U210-31 X 4U210-50M X 4U210-32 X	1-15/16" 50mm 2"	3.543 90	2.75 69.9	1.50 38.1	0.75 19.0	2.25 57.1	0.95 24.0	5/16-24	1.94
4U211-32 X 4U211-35 X	2" 2-3/16"	3.937 100	3.00 76.2	1.72 43.6	0.87 22.2	2.59 65.8	0.98 25.0	3/8-24	3.07
4U212-39 X	2-7/16"	4.331 110	3.32 84.2	1.84 46.8	1.00 25.4	2.84 72.2	1.06 27.0	3/8-24	3.51
4U214-44 X	2-3/4"	4.921 125	4.02 102.0	1.94 49.2	1.19 30.2	3.13 79.4	1.14 29.0	3/8-24	4.91
4U215-47 X 4U215-75M X 4U215-48 X	2-15/16" 75mm 3"	5.118 130	4.02 102.0	2.15 54.6	1.31 33.3	3.46 87.9	1.26 32.0	3/8-24	5.75

**X indicates a 2-letter designation for lube & seals**  
 G = food grade grease  
 F = food grade EPL  
 Other alpha - refer to page 3  
 X = standard configuration  
 O = open (no seal or flinger)  
 Others - refer to page 3  
 Example: GX = food grade grease with standard seals & flingers

