

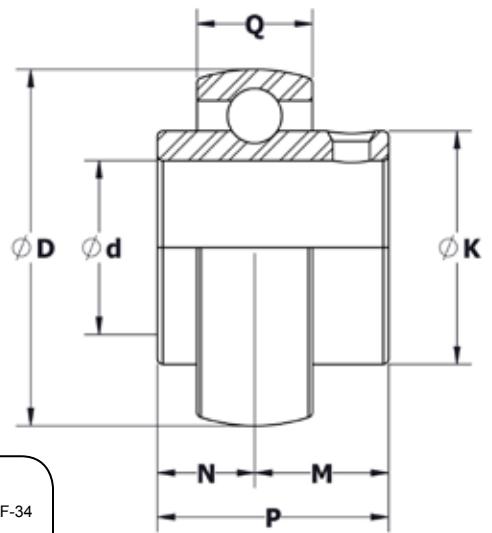
# Set Screw Style Ball Bearing - CLASSIC SERIES

**CLASSIC**

## Series "4Y"

Available as insert only or assembled in housing

Materials of EDT Stainless Steel Insert Bearings	
Available styles	Set screw (Y)
Races and balls	440C SS
Retainer (cage), flinger	300-series SS
Seals	Silicon rubber (single lip)
Set screws (at 120°)	300-series SS
Grade of balls	G16
Grease	Food-grade grease or solid lubricant with seals and flingers as appropriate



**More Sizes / Styles**  
 Inserts pgs F-5 to F-9  
 Eccentric inserts in SS or KG: pgs F-10 to F-34  
 QuiKlean® eccentric: pgs F-34 to F-47  
 Set screw inserts in SS or KG: pgs F-48 to F-72  
 QuiKlean® set screw: pgs F-72 to F-85

"x" indicates a 2-letter designation for lube & seals

Part #	Ød	ØD	ØK	M	N	P	Q	2 ea ss set screw	Wt.
	Shaft Diameter	in. mm	in. mm	in. mm	in. mm	in. mm	in. mm		lbs.
4Y203-12M X 4Y203-08 X 4Y203-09 X 4Y203-15M X 4Y203-10 X 4Y203-17M X	12mm 1/2" 9/16" 15mm 5/8" 17mm	1.575 40	0.97 24.6	0.61 15.5	0.41 10.5	1.02 26.0	0.59 15.0	10-24	0.22
4Y204-12M X 4Y204-08 X 4Y204-15M X 4Y204-10 X 4Y204-17M X 4Y204-11 X 4Y204-12 X 4Y204-20M X	12mm 1/2" 15mm 5/8" 17mm 11/16" 3/4" 20mm	1.850 47	1.14 29.0	0.72 18.3	0.50 12.7	1.22 31.0	0.63 16.0	1/4-28	0.35
4Y205-12 X 4Y205-14 X 4Y205-15 X 4Y205-25M X 4Y205-16 X	3/4" 7/8" 15/16" 25mm 1"	2.047 52	1.34 34.0	0.78 19.7	0.56 14.3	1.34 34.0	0.67 17.0	1/4-28	0.40
4Y206-16 X 4Y206-17 X 4Y206-18 X 4Y206-30M X 4Y206-19 X 4Y206-20 X	1" 1-1/16" 1-1/8" 30mm 1-3/16" 1-1/4"	2.441 62	1.59 40.5	0.87 22.2	0.63 15.9	1.50 38.1	0.75 19.0	5/16-24	0.67
4Y207-19 X 4Y207-20 X 4Y207-21 X 4Y207-22 X 4Y207-35M X 4Y207-23 X	1-3/16" 1-1/4" 1-5/16" 1-3/8" 35mm 1-7/16"	2.835 72	1.84 46.8	1.00 25.4	0.69 17.5	1.69 42.9	0.79 20.0	5/16-24	1.10
4Y208-23 X 4Y208-24 X 4Y208-40M X	1-7/16" 1-1/2" 40mm	3.150 80	2.08 52.8	1.19 30.2	0.75 19.0	1.94 49.2	0.83 21.0	5/16-24	1.41
4Y209-24 X 4Y209-26 X 4Y209-27 X 4Y209-28 X 4Y209-45M X	1-1/2" 1-5/8" 1-11/16" 1-3/4" 45mm	3.346 85	2.31 58.6	1.19 30.2	0.75 19.0	1.94 49.2	0.87 22.0	5/16-24	1.48
4Y210-28 X 4Y210-30 X 4Y210-31 X 4Y210-50M X 4Y210-32 X	1-3/4" 1-7/8" 1-15/16" 50mm 2"	3.543 90	2.45 62.2	1.28 32.6	0.75 19.0	2.03 51.6	0.91 23.0	5/16-24	1.68
4Y211-32 X 4Y211-55M X 4Y211-35 X 4Y211-36 X	2" 55mm 2-3/16" 2-1/4"	3.937 100	2.76 70.0	1.32 33.4	0.87 22.2	2.19 55.6	0.95 24.0	3/8-24	2.2
4Y212-36 X 4Y212-60M X 4Y212-39 X	2-1/4" 60mm 2-7/16"	4.331 110	3.03 77.0	1.56 39.7	1.00 25.4	2.56 65.1	1.02 26.0	3/8-24	3.0
4Y214-39 X 4Y214-40 X 4Y214-70M X 4Y214-44 X	2-7/16" 2-1/2" 70mm 2-3/4"	4.921 125	3.43 87.0	1.75 44.4	1.19 30.2	2.94 74.6	1.14 29.0	7/16-20	4.3
4Y215-40 X 4Y215-43 X 4Y215-44 X 4Y215-45 X 4Y215-47 X 4Y215-75M X 4Y215-48 X	2-1/2" 2-11/16" 2-3/4" 2-13/16" 2-15/16" 75mm 3"	5.118 130	3.60 91.5	1.75 44.5	1.31 33.3	3.06 77.8	1.18 30.0	1/2-20	4.4

**X indicates a 2-letter designation for lube & seals**  
 G = food grade grease      X = standard configuration  
 F = food grade EPL      O = open (no seal or flinger)  
 Other alpha - refer to page 3      Others - refer to page 3  
 Example: GX = food grade grease with standard seals & flingers

