



STAINLESS AND POLYMER SOLUTION® HOUSINGS



Stainless Temp Range:
Cryogenic to +1000 deg F

Polymer Temp Range:
-40 deg F to 150 deg F

EDT Solution® housings: Sanitary, non-corrosive, and durable



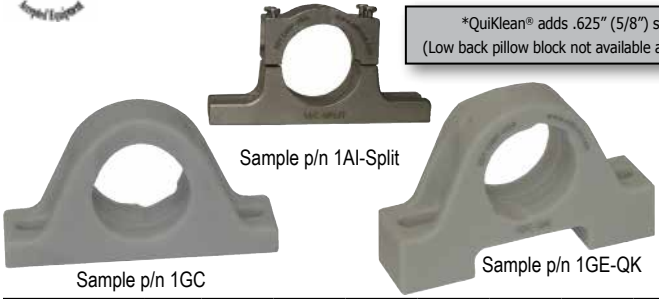
- USDA accepted
- Smooth surfaces, few crevices for maximum cleanability
- Ideal for HACCP/HARPC programs
- Accepts most insert bearings, including Poly-Round® and Poly-Round® Plus, All-Round®, ball bearings and other bearing manufacturers' products
- Available in most styles and sizes (standard and metric), 1/2" - 3-7/16"
- Direct interchange with industry-standard self-aligning mounted bearings
- Housing can be reused many times
- Includes stainless grease fitting and setscrew
- QuiKlean® housings: One-piece integral standoff increases accessibility for cleaning



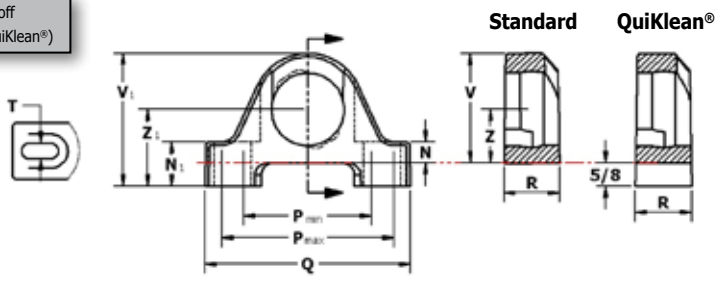


Pillow Block

Polymer or Stainless Standard Backing Height ("1" Series) and Low Backing Height ("10" Series) Pillow Block



*QuiKlean® adds .625" (5/8") standoff
(Low back pillow block not available as QuiKlean®)



x = Shaft Size			mm∅ Inch∅ Ring Group	"1" Series			"10" Series			P		N	V	R		U		T	DoubleLock® Sleeve		
				Z	p/n	Wt. in lbs.	Z	p/n	Wt. in lbs.	Q	Min			Max	N1*	V1*	KG	SS	KG	SS	Bolt size
mm	in	16 ^{ths}		Z ₁ *																	
12	1/2	8	40	1.06	1GA	.2						.44	2.25	1.25	1.13	.62	.57	3/8	.44	1.49	
15	9/16	9	1.575	27.0	1AA	.7	--	--				11.1	57.2	31.8	28.6	15.8	14.5		11.2	38	
17	5/8	10	203	1.69	1GA-QK							1.06	2.87								
17	11/16	11	A	42.9								26.9	72.9								
12	1/2	8	47	1.31	1GB	.3	1.25	10GB	.3			.50	2.69	1.38	1.13	.57	.57	3/8	.50	1.63	
15	9/16	9	1.850	33.3	1AB	1.2	31.8	10AB	1.0	5.25	3.25	12.7	68.3	34.9	28.6	14.5	14.5		12.7	41	
17	5/8	10	204	1.94	1GB-QK			N/A	--			1.13	3.31								
17	11/16	11	B	49.2								28.6	84.1								
20	3/4	12																			
12	3/4	12	52	1.44	1GC	.41	1.31	10GC	.4			.56	2.94	1.50	1.13	.75	.57	3/8	.50	1.75	
13/16	13	13	2.047	36.5	1AC	1.3	33.3	10AC	1.1	5.5	3.44	14.3	74.6	38.1	28.6	18.0	14.5		12.7	44	
7/8	14	14	205	2.06	1GC-QK			N/A	--			1.19	3.56								
15/16	15	15	C	52.4	1AC-QK							30.2	90.5								
1	1-1/16	16	62	1.69	1GD	.5	1.56	10GD	.5			.69	3.38	1.75	1.50	.88	.76	1/2	.50	2.0	
1-1/8	17	17	2.441	42.9	1AD	2.4	39.7	10AD	2.3	6.25	4.13	17.5	85.7	44.5	38.1	22.4	19.3		12.7	50	
1-1/4	18	18	206	2.31	1GD-QK			N/A	--			1.31	4.0								
1-1/4	19	19	D	58.7								33.3	101.6								
1-3/16	19	19	72	1.88	1GE	.7	1.81	10GE	.7			.69	3.88	1.75	1.50	.93	.74	1/2	.50	2.25	
1-1/4	20	20	2.835	47.6	1AE	2.9	46.0	10AE	2.9	6.56	4.69	17.5	98.4	44.5	38.1	23.6	18.8		12.7	57	
1-5/16	21	21	207	2.50	1GE-QK			N/A	--			1.31	4.50								
1-3/8	22	22	E	63.5								33.3	114.3								
1-7/16	23	23																			
1-7/16	23	23	80	2.13	1GF	.9	1.94	10GF	.8			.75	4.31	1.94	1.63	.97	.81	1/2	.50	2.38	
1-1/2	24	24	3.150	54.0	1AF	4.2	49.2	10AF	3.7	7.25	5	19.1	109.5	49.2	41.3	24.6	20.6		12.7	60	
1-9/16	25	25	208	2.75	1GF-QK			N/A	--			1.38	4.94								
1-5/8	26	26	F	69.9								34.9	125.4								
1-1/2	24	24	85	2.13	1GG	.9	2.06	10GG	.9			.75	4.38	2	1.75	1.0	.86	1/2	.63	2.75	
1-11/16	27	27	3.346	54.0	1AG	4.8	52.4	10AG	4.5	7.44	5.31	19.1	111.1	50.8	44.5	25.4	21.8		15.9	70	
1-11/16	27	27	209																		
1-3/4	28	28	G																		
1-11/16	27	27	90	2.25	1GH	1.4	2.19	10GH	1.3			.75	4.63	2.25	2	1.1	.99	5/8	.63	3	
1-3/4	28	28	3.543	57.2	1AH	6.1	55.6	10AH	5.8	8.13	5.88	19.1	117.5	57.2	50.8	27.9	25.2		15.9	76	
1-13/16	29	29																			
1-7/8	30	30	210																		
1-15/16	31	31	H																		
1-15/16	31	31	2																		
1-15/16	31	31	100	2.50	1GI	1.5	2.44	10GI	1.5			.88	5.13	2.38	2	1.17	.99	5/8	.63	3.25	
2-1/16	32	32	3.937	63.5	1AI	7.2	61.9	10AI	7.1	8.88	6.38	22.2	130.2	60.3	50.8	29.7	25.2		15.9	83	
2-1/8	34	34	211																		
2-3/16	35	35	I																		
2-3/16	35	35	110	2.75	1GJ	1.8	2.69	10GJ	1.6			.88	5.50	2.50	2	1.25	.99	5/8	.63	3.4	
2-1/4	36	36	4.331	69.9	1AJ	8.5	68.3	10AJ	8.0	9.5	6.44	22.2	139.7	63.5	50.8	31.2	25.2		15.9	86	
2-5/16	37	37	212																		
2-3/8	38	38	J																		
2-7/16	39	39																			
2-1/2	40	40	125	3.0	1GK	2.4	3.13	10GK	2.4			.94	6.25	2.75	2	1.34	.99	3/4	.75	3.8	
2-5/8	42	42	4.921	76.2	1AK	9.7	79.4	10AK	9.0	10.75	7.44	23.8	158.7	69.9	50.8	34.0	25.2		19.1	96	
2-11/16	43	43	214																		
2-3/4	44	44	K																		
2-11/16	43	43	130	3.50	1GL	3.2	3.25	10GL	3.2			1	6.88	2.88	2	1.4	1.24	7/8	.75	4.13	
2-3/4	44	44	5.118	88.9	1AL	16.1	82.5	10AL	15.5	11.75	8.25	25.4	174.6	73.0	50.8	35.6	31.5		19.1	105	
2-13/16	45	45																			
2-7/8	46	46	215																		
2-15/16	47	47	L																		
2-15/16	47	47	140	3.50	1GM	3.0	--	--	--			1	6.88	2.88	2	1.4	1.24	7/8	.75	4.7	
2-3/4	44	44	5.511	88.9	1AM	15.9	--	--	--	11.75	8.25	25.4	174.6	73.0	50.8	35.6	31.5		19	120	
2-7/8	46	46	216																		
2-15/16	47	47	M																		
3	48	48																			
3-1/8	50	50																			
3-3/16	51	51																			
2-3/4	44	44	160	4	--	--	--	--	--	14	10.3	11.63	194	8	--	--	1.11	7/8	.75	4.1	
2-15/16	47	47	6.299	101.6	1AO	23.2	--	--	--	355.6	261.6	295.4	49.3	203.2	2.22	56.4	28.2		19	104.1	
3-1/4	52	52																			
3-7/16	55	55																			
3-1/2	56	56	O																		



Tapped Base Pillow Block

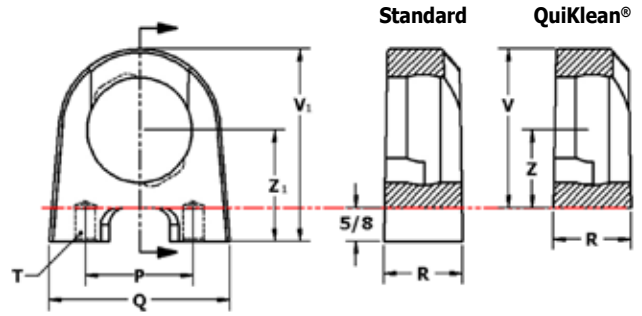
Polymer or Stainless "9" Series Tapped Block



Sample p/n 9AE-QK



Sample p/n 9GE



*QuiKlean® adds .625" (5/8") standoff

x = Shaft Size			mm∅ Inch∅ Ring Group	Stainless (SS)			Polymer (KG)			Z	P	T	Q	U		DoubleLock® Sleeve								
				R	V	Vt*	Wt. in lbs.	R	V					Vt*	Wt. in lbs.	Zt*	KG	SS	F	K				
mm	in	16ths	Housing p/n	in mm	in mm		Housing p/n	in mm	in mm		in mm	in mm	in mm	in mm	in mm	in mm	in mm							
12	1/2	8	1.575 A	9AA	1.13	2.46	9GA	1.12	2.46	.2	1.31	2	3	.56	.44	1.49	38							
15	5/8	9		9AA-QK	28.6	3.08	9GA-QK	28.4	3.25	.4	1.94							50.8	3/8 - 16	76.2	14.2	14.2	11.2	
17	11/16	11				78.2			1.1	82.6	49.2													
12	1/2	8	1.850 B	9AB	1.13	2.58	9GB	1.12	2.58	.25	1.31	2	3/8 - 16	3.07	.56	.56	.50	1.63						
15	5/8	9		9AB-QK	28.6	3.2	9GB-QK	28.4	3.2	.3	1.94								50.8	7/8 - 16	78.0	14.2	14.2	12.7
17	11/16	11				81.3			1.2	81.3	49.2													
17	11/16	11	2.047 C	9AC	1.13	2.94	9GC	1.14	2.94	.3	1.44	2	3/8 - 16	3	.56	.56	.50	1.75						
15	7/8	14		9AC-QK	28.6	74.6	9GC-QK	28.9	74.6	.35	36.5								50.8	7/8 - 16	76.2	14.2	14.2	12.7
25	15/16	15				90.5			1.4	90.5	52.4													
30	1	16	2.441 D	9AD	1.5	3.25	9GD	1.63	3.38	.4	1.69	3	7/16 - 14	4.25	.81	.74	.50	2						
1-1/16	17	19		38.1	4	9GD-QK	41.3	4	85.7	.5	42.9								76.2	1/2 - 13	108.0	20.6	18.8	12.7
1-1/8	18																							
35	1-3/16	19	2.835 E	9AE	1.5	3.69	9GE	1.75	3.88	.6	1.55	3.25	1/2 - 13	4.5	.88	.74	.50	2.25						
1-1/4	20	20		38.1	4.3	9GE-QK	44.5	4.5	98.4	.7	47.6								82.6	1/2 - 13	114.3	22.4	18.8	12.7
1-5/16	21																							
40	1-7/16	23	3.150 F	9AF	1.63	4.12	9GF	1.88	4.13	.7	1.94	3.5	1/2 - 13	4.75	.93	.81	.50	2.38						
1-1/2	24	24		41.3	4.75	9GF-QK	47.6	4.75	104.8	.9	49.2								88.9	1/2 - 13	120.7	23.6	20.6	12.7
1-9/16	25																							
45	1-5/8	26	3.346 G	9AG	1.75	4-1/4	9GG	2	4.38	.8	2.12	3.75	1/2 - 13	5.25	.98	.86	.63	2.75						
1-11/16	27	28		44.5	108.0	9GG	50.8	4.38	111.1	.8	54.0								95.3	1/2 - 13	133.4	24.9	21.8	15.9
1-3/4	28																							
50	1-11/16	27	3.543 H	9AH	2	4-1/2	9GH	2.12	4.75	1.1	2.25	4	5/8 - 11	5.75	1.1	.98	.63	3						
1-3/4	28	29		50.8	114.3	9GH	54	4.75	120.7	1.1	57.2								101.6	5/8 - 11	146.1	28.0	25.0	15.9
1-13/16	29																							
55	1-15/16	31	3.937 I	9AI	2	4-23/32	9GI	2.12	4.75	1.0	2.25	4	5/8 - 11	5.75	1.1	.98	.63	3.25						
2	32	32		50.8	119.9	9GI	54	4.75	120.7	1.0	57.2								101.6	5/8 - 11	146.1	28.0	25.0	15.9
1-15/16	31																							
60	2-3/16	35	4.331 J	9AJ	2	5-3/8	--	--	--	--	2.75	4.25	5/8 - 11	6.5	1.1	.98	.63	3.4						
2-1/4	36	36		50.8	136.5	9AJ	50.8	5-3/8	136.5	6.3	69.9								108.0	5/8 - 11	165.1	28.0	25.0	15.9
2-5/16	37																							
70	2-7/16	39	4.921 K	9AK	2	6-1/16	--	--	--	--	3	5	3/4 - 10	7.5	1.1	.98	.75	3.8						
2-1/2	40	40		50.8	154.0	9AK	50.8	6-1/16	154.0	7.0	76.2								127.0	3/4 - 10	190.5	28.0	25.0	19.1
2-5/8	42																							
75	2-11/16	43	5.118 L	9AL	2	6-3/4	--	--	--	--	3.5	5.25	7/8 - 9	8	1.1	.98	.75	4.13						
2-3/4	44	44		50.8	171.5	9AL	50.8	6-3/4	171.5	7.5	88.9								133.4	7/8 - 9	203.2	28.0	25.0	19.1
2-13/16	45																							
2-7/8	46	47	50.8	171.5	9AL	50.8	6-3/4	171.5	7.5	105	133.4	7/8 - 9	203.2	28.0	25.0	19.1								
2-15/16	48																171.5	9AL	50.8	171.5	105			



2-Bolt Flange

Polymer or Stainless "2" Series Flange Housing

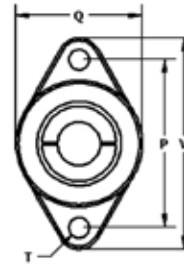


Sample p/n 2AE

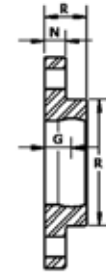


Sample p/n 2GC-QK

*QuiKlean® adds .625" (5/8") standoff & LTB



Poly-Round®



Standard



QuiKlean®

x = Shaft Size			mm∅ Inch∅ Ring Group	Stainless (SS)			Polymer (KG)			P	V	T	G	R	N	DoubleLock® Sleeve	
				Housing p/n	Q in mm	Wt. in lbs.	Housing p/n	Q in mm	Wt. in lbs.				G ₁ *	R ₁ *	N ₁ *	F	K
12	1/2	8	40	2AA	2.15	.5	2GA	2.15	.1	3	3.88	3/8	.53 13.4	.85 24.1	.44 11.1	.44 11.2	1.49 38
15	9/16	9	1.575	2AA-QK	54.6	.6	2GA-QK	54.6	--	76.2	98.4	3/8	1.15 29.3	1.48 37.6	1.06 27.1		
17	11/16	11	A														
12	1/2	8	47	2AB	2.42	.7	2GB	2.69	.2	3.53	4.41	3/8	.59 15	.95 24.1	.44 11.1	.50 12.7	1.63 41
15	5/8	10	1.850	2AB-QK	61.5	.9	2GB-QK	68.3	.2	89.7	112	3/8	1.22 30.8	1.56 39.7	1.06 26.9		
17	11/16	11	B														
20	3/4	12															
12	3/4	12	52	2AC	2.66	1.0	2GC	2.94	.2	3.89	4.89	7/16	.63 16	1 25.4	.50 12.7	.50 12.7	1.75 44
13	7/8	13	2.047	2AC-QK	67.5	1.3	2GC-QK	74.6	.2	98.8	124.2	7/16	1.26 3.19	1.62 41.2	1.12 28.6		
15	15/16	15	C														
25	1	16															
1	1-1/16	17	62	2AD	3.12	1.5	2GD	3.63	.3	4.6	5.69	7/16	.66 16.7	1.06 27.0	.50 12.7	.50 12.7	2 50
30	1-3/16	18	2.441	2AD-QK	79.4	1.9	2GD-QK	92.1	.4	116.7	142.1	7/16	1.29 32.6	1.68 42.8	1.12 28.6		
18	1-1/4	20	D														
19	1-3/16	19	72	2AE	3.62	2.0	2GE	4	.4	5.12	6.25	1/2	.79 20.1	1.22 31.0	.56 14.3	.50 12.7	2.25 57
35	1-5/16	20	2.835	2AE-QK	92.1	2.5	2GE-QK	101.6	.5	130.2	158.7	1/2	1.42 35.9	1.84 46.8	1.18 30.2		
21	1-7/8	22	E														
22	1-3/8	23															
23	1-7/16	23															
17	1-7/16	23	80	2AF	4	2.5	2GF	4.56	.6	5.66	6.78	1/2	.76 19.3	1.24 27.4	.56 14.3	.50 12.7	2.38 60
40	1-9/16	25	3.150	2AF-QK	101.6	2.9	2GF-QK	115.9	--	143.7	172.2	1/2	1.39 35.1	1.68 42.8	1.18 30.2		
26	1-5/8	26	F														
24	1-1/2	24	85	2AG	4.25	2.9	2GG	4.75	.6	5.84	6.97	1/2	.76 19.3	1.24 27.4	.63 15.9	.63 15.9	2.75 70
45	1-5/8	26	3.346	2AG	108.0		2GG	120.7	.6	148.4	177.0	1/2	19.3	27.4	15.9		
27	1-11/16	27	G														
28	1-3/4	28															
11	1-11/16	27	90	2AH	4.56	3.2	2GH	5.06	.7	6.19	7.31	1/2	.77 19.6	1.24 27.4	.63 15.9	.63 15.9	3 76
50	1-13/16	29	3.543	2AH	115.9		2GH	128.6	.7	157.2	185.7	1/2	19.6	27.4	15.9		
28	1-7/8	30	H														
30	1-7/8	30															
31	1-15/16	31															
32	2	32															
15	1-15/16	31	100	2AI	5.06	4.8	2GI	5.88	1.1	7.25	8.63	5/8	.92 23.4	1.47 37.3	.69 17.5	.63 15.9	3.25 83
55	2-1/16	33	3.937	2AI	128.6		2GI	149.2	1.1	184.2	219.1	5/8	23.4	37.3	17.5		
32	2-1/8	34	I														
34	2-3/16	35															
35	2-1/4	36															
2	2-3/16	35	110	2AJ	5.62	6.4	2GJ	6.56	1.6	7.95	9.33	5/8	1.07 27.2	1.65 42.1	.69 17.5	.63 15.9	3.4 86
60	2-1/4	36	4.331	2AJ	142.9		2GJ	161.9	1.6	202.0	236.9	5/8	27.2	42.1	17.5		
37	2-5/16	37	J														
38	2-3/8	38															
39	2-7/16	39															
2	2-7/16	39	125	2AK	6.44	3.5	2GK	6.94	1.7	8.31	9.69	5/8	1.25 31.8	1.87 47.6	.75 19.1	.75 19.1	3.8 96
70	2-1/2	40	4.921	2AK	163.5		2GK	176.2	1.7	211.1	246.1	5/8	31.8	47.6	19.1		
40	2-5/8	42	K														
42	2-1/2	40															
43	2-11/16	43															
44	2-3/4	44															
2	2-11/16	43	130	2AL	6.5	9.5	2GL	6.94	1.8	8.5	10.13	3/4	1.38 35.1	2 50.8	1 25.4	.75 19.1	4.13 105
75	2-3/4	44	5.118	2AL	165.1		2GL	176.2	1.8	215.9	257.2	3/4	35.1	50.8	25.4		
45	2-13/16	45	L														
46	2-7/8	46															
47	2-15/16	47															
48	3	48															



Small Pattern 2-Bolt Flange

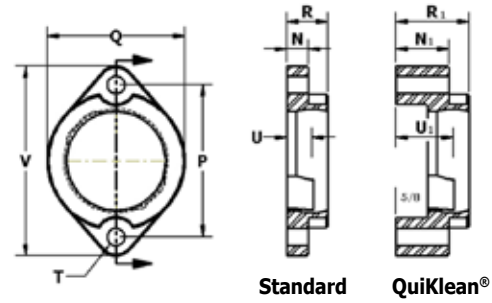
Polymer or Stainless "6" Series Small Pattern 2-Bolt Housing



Sample p/n 6AB



Sample p/n 6GB



Standard

QuiKlean®

*QuiKlean® adds .625" (5/8") standoff & LTB

x = Shaft Size			mm∅ Inch∅ Ring Group	Stainless (SS)		Polymer (KG)		P	V	T	R	N	Z	Q	N	DoubleLock® Sleeve		
mm	in	16 ^{ths}		Housing p/n	Wt. in lbs.	Housing p/n	Wt. in lbs.									in mm	in mm	Bolt size
12	1/2	8	40 1.575 203 A	6AA	.4	6GA	.06	2.5 63.5	3.18 81.0	1/4	.69 17.5	.38 9.5	.42 10.7	2.09 53.2	.44 11.2	.44 11.2	1.49 38	
15	9/16	9																
17	5/8	10																
12	1/2	8	47 1.850 204 B	6AB	.5	6GB	.08	2.81 71.4	3.56 90.5	5/16	.87 22.2	.42 10.7	.50 12.7	2.42 61.4	.50 12.7	.50 12.7	1.63 41	
15	5/8	10																
17	11/16	11																
20	3/4	12																
12	3/4	12	52 2.047 205 C	6AC	.7	6GC	.13	3 76.2	3.75 95.2	5/16	.81 20.6	.42 10.7	.50 12.7	2.72 69.1	.50 12.7	.50 12.7	1.75 44	
13	7/8	14																
15	15/16	15																
25	1	16																
1	1-1/16	17	62 2.441 206 D	6AD	1.7	6GD	.15	3.56 90.5	4.43 112.7	3/8	.96 24.6	.46 11.9	.56 14.3	3.09 78.6	.56 14.2	.50 12.7	2 50	
18	1-1/8	18																
19	1-3/16	19																
20	1-1/4	20																
1-3/16	19	19	72 2.835 207 E	6AE	1.1	6GE	.16	3.94 100.0	4.74 125.4	3/8	.84 21	.50 12.7	.56 14.3	3.50 88.9	.56 14.2	.50 12.7	2.25 57	
20	1-1/4	20																6AE-QK
22	1-3/8	22																
23	1-7/16	23																

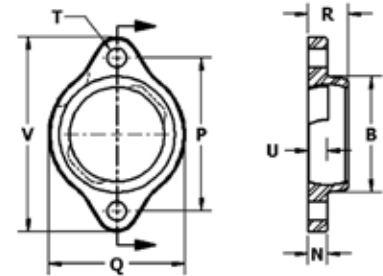
Piloted 2-Bolt Flange

Stainless "6-SP" Series Piloted Small Pattern 2-Bolt Housing

Square bolt holes are available
*Indicated in part number as suffix '_Q'
Call for price and lead time



Sample p/n 6AB-SP



x = Shaft Size			mm∅ Inch∅ Ring Group	Stainless (SS)		P	V	T	R	N	Q	B	DoubleLock® Sleeve	
mm	in	16 ^{ths}		Housing p/n	Wt. in lbs.								in mm	in mm
12	1/2	8	47 1.850 204 B	6AB-SP	.4	2.81 71.4	3.56 90.5	5/16	.73 18.5	.35 8.9	2.50 63.5	2.12 53.8	.50 12.7	1.63 41
15	9/16	9												
17	5/8	10												
20	3/4	12												
12	3/4	12	52 2.047 205 C	6AC-SP	.48	3 76.2	3.75 95	5/16	.78 19.8	.42 10.7	2.72 69.1	2.34 59.4	.50 12.7	1.75 44
13	7/8	14												
15	15/16	15												
25	1	16												



4-Bolt Flange

Polymer or Stainless "4" Series 4-Bolt Flange Housing



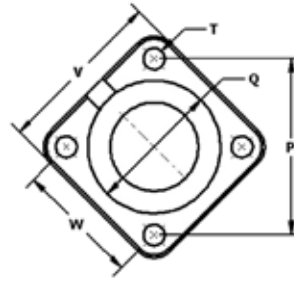
Sample p/n
4GE-QK



Sample p/n 4AE



Sample p/n
4AG-SPLIT



Standard

QuiKlean®

*QuiKlean® adds .625" (5/8") standoff & LTB

x = Shaft Size			mm Inch Ring Group	Stainless (SS)			Polymer (KG)			W	V	P	T	G	R	N	DoubleLock® Sleeve	
				Housing p/n	Q in mm	Wt. in lbs.	Housing p/n	Q in mm	Wt. in lbs.					G*	R ₁ *	N ₁ *	F	K
mm	in	16 ^{ths}											in mm	in mm	in mm	in mm	in mm	
12	1/2	8	40	4AA	.8	4GA	2.15	.2	2.12	3	3	3/8	.53 13.5	.85 21.4	.43 11.1	.44 11.2	1.49 38	
15	5/8	9	1.575 203 A	--	--	4GA-QK	2.15 54.6	.2	2.12 54.0	3 76.2	3 76.2	3/8	1.15 29.2	1.44 37.4	1.06 27			
17	11/16	11																
12	1/2	8	47	4AB	1.5	4GB	2.68	.3	2.5	3.37	3.54	3/8	.59 15.1	.84 23.8	.44 11.1	.50 12.7	1.63 41	
15	5/8	9	1.850 204 B	4AB-QK	2.42 61.5	4GB-QK	2.68 68.1	.3	2.5 63.5	3.37 85.7	3.54 89.9	3/8	1.22 30.6	1.57 39.9	1.06			
17	11/16	11																
20	3/4	12																
12	3/4	12	52	4AC	1.7	4GC	2.93	.4	2.75	3.75	3.89	7/16	.63 16.7	1 25.4	.5 12.7	.50 12.7	1.75 44	
13/16	13		2.047 205 C	4AC-QK	2.66 67.6	4GC-QK	2.93 74.4	.4	2.75 69.9	3.75 95.3	3.89 98.8	7/16	1.26 32	1.63	1.12			
15	7/8	14																
17	15/16	15																
25	1	16																
1	1-1/16	17	62	4AD	2.2	4GD	3.62	.5	3.25	4.25	4.59	7/16	.66 16.7	1.07 27.0	.5 12.7	.50 12.7	2.0 50	
1-1/8	18		2.441 206 D	4AD-QK	3.12 79.2	4GD-QK	3.62 91.9	.5	3.25 82.6	4.25 108.0	4.59 116.6	7/16	1.28 32	1.69	1.12			
30	1-3/16	19																
1-1/4	20																	
1-3/16	19		72	4AE	3.2	4GE	4.0	.6	3.62	4.75	5.13	1/2	.79 20.1	1.22 31.0	.56 14.3	.50 12.7	2.25 57	
1-1/4	20		2.835 207 E	4AE-QK	3.62 91.9	4GE-QK	4.0 101.6	.6	3.62 92.1	4.75 120.7	5.13 130.3	1/2	1.42 36	1.85	1.19			
1-5/16	21																	
1-3/8	22																	
35	1-7/16	23																
1-7/16	23		80	4AF	4.2	4GF	4.56	.6	4	5.12	5.66	1/2	.77 19.5	1.24 31.8	.56 14.3	.50 12.7	2.38 60	
1-1/2	24		3.150 208 F	4AF-QK	4 101.6	4GF-QK	4.56 115.8	.6	4 101.6	5.12 130.2	5.66 143.7	1/2	1.39 35.4	1.86 47.2	1.18 30			
1-9/16	25																	
40	1-5/8	26																
1-1/2	24		85	4AG	4.5	4GG	4.74	.8	4.12	5.25	5.83	1/2	.76 19.5	1.24 31.8	.62 15.9	.63 15.9	2.75 70	
1-5/8	26		3.346 209 G															
1-11/16	27																	
45	1-3/4	28																
1-11/16	27		90	4AH	4.5	4GH	5.06	.9	4.37	5.5	6.19	1/2	.77 19.6	1.24 31.8	.62 15.9	.63 15.9	3 76	
1-13/16	29		3.543 210 H															
1-7/8	30																	
50	1-15/16	31																
2	32																	
1-15/16	31		100	4AI	8.5	4GI	5.87	1.5	5.12	6.5	7.25	5/8	.92 23.5	1.47 37.3	.69 17.5	.63 15.9	3.25 83	
2	32		3.937 211 I															
2-1/16	33																	
55	2-1/8	34																
2-3/16	35																	
2-1/4	36																	
2-3/16	35		110	4AJ	11.2	4GJ	6.56	2.0	5.62	7	7.96	5/8	1.07 27.1	1.66 42.1	.69 17.5	.63 15.9	3.4 86	
2-1/4	36		4.331 212 J															
2-5/16	37																	
2-3/8	38																	
60	2-7/16	39																
2-1/2	40		125	4AK	12.2	4GK	6.94	2.1	5.87	7.25	8.31	5/8	1.25 31.8	1.86 47.6	.75 19.1	.75 19.1	3.8 96	
2-5/8	42		4.921 214 K															
2-11/16	43																	
70	2-3/4	44																
2-11/16	43		130	4AL	14.7	4GL	6.94	2.6	6	7.62	8.49	3/4	1.38 35.2	1.98 50.8	1 25.4	.75 19.1	4.13 105	
2-13/16	45		5.118 215 L															
2-7/8	46																	
75	2-15/16	47																
3	48																	
2-3/4	44		140	4AM	14.6	4GM	6.94	2.5	6	7.62	8.49	3/4	1.38 35.7	1.98 50.8	1 25.4	.75 19.1	4.5 114.3	
2-7/8	46		5.511 216 M															
2-15/16	47																	
3	48																	
80	3-1/8	50																
3-3/16	51																	
2-3/4	44		160	4AO	15.0	--	--	--	6.75	8.37	9.55	3/4	1.25 31.8	1.98 50.8	1 25.4	.75 19.1	4.1 104.1	
2-15/16	47		6.299 218 O															
3-1/4	52																	
3-7/16	55																	
90	3-1/2	56																



Small Pattern 4-Bolt

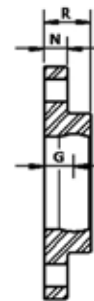
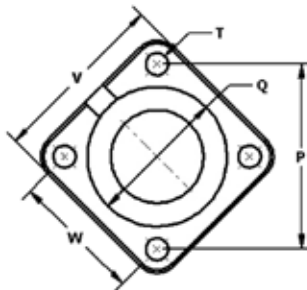
Polymer or Stainless "4^A-01" Series 4-Bolt Flange Housing



Sample p/n 4AC-01



Sample p/n 4GC-01-QK



Standard

QuiKlean®

*QuiKlean® adds .625" (5/8") standoff & LTB

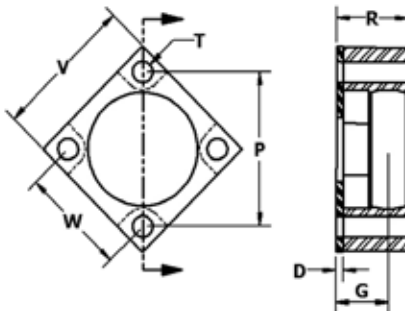
x = Shaft Size			mm∅ Inch∅ Ring Group	Stainless (SS)		Polymer (KG)		W	V	P	T	Q	G*	R	N	DoubleLock® Sleeve		
				Housing p/n	Wt. in lbs.	Housing p/n	Wt. in lbs.						G ₁ *	R ₁ *	N ₁ *	F	K	
mm	in	16 ^{ths}					in mm	in mm	in mm	Bolt size	in mm	in mm	in mm	in mm	in mm	in mm	in mm	
3/4	12		52 2.047 205 C	4AC-01	1	4GC-01	.2						.66	.99	.25			
13/16	13							2.25	3.13	5.06	3/8	17.7	25.1	6.4				
7/8	14				4AC-01-QK		4GC-01-QK	.3	57.15	79.4	128.6	2.75	70	1.29	1.62	.88	.50	1.75
25	15/16	1	16										32.8	41.1	22.4	12.7	44	

"Breeder Bearing"

Stainless "ZA100" QuiKlean® housing is exclusive to EDT
Specially designed to retrofit into most popular breading equipment



Sample p/n ZA100-QK



x = Shaft Size			mm∅ Inch∅ Ring Group	Stainless (SS)		W	V	P	T	G	R	D
				Housing p/n	Wt. in lbs.							
mm	in	16 ^{ths}			in mm	in mm	in mm	Bolt size	in mm	in mm	in mm	
25	3/4	12	52 2.047 205 C	ZA100-QK	.6	1.87	2.5	2.65	5/16	.93	1.28	.13
1	16											



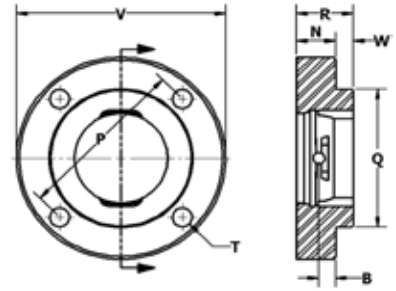
Piloted 4-Bolt Flange

Polymer or Stainless "24" Series Piloted 4-Bolt Housing



Sample p/n 24AE

Sample p/n 24GE



x = Shaft Size			mm∅ Inch∅ Ring Group	15.4 Stainless (SS)		Polymer (KG)		P	V	W	R	N	B	Q	T	DoubleLock® Sleeve	
				Housing p/n	Wt. in lbs.	Housing p/n	Wt. in lbs.									F	K
mm	in	16 ^{ths}					in mm	in mm	in mm	in mm	in mm	in mm	in mm	Bolt Size	in mm	in mm	
12	1/2	8	40	--	--	--	--	--	--	--	--	--	--	--	--	--	
15	9/16	9	1.575														
17	5/8	10	203														
	11/16	11	A														
12	1/2	8	47														
15	9/16	9	1.850														
17	5/8	10	204														
20	3/4	12	B														
	13/16	13	52	24AC	2.5	24GC	.6	3.63	4.38	.38	1.19	.88	11.34	3	3/8	.50	1.75
	7/8	14	205					92.1	111.1	9.5	30.1	22.2	8.7	76.2		12.7	44
25	15/16	15	C														
	1	16	62	24AD		24GD	.6	3.63	4.38	.38	1.25	.88	.34	3	3/8	.50	2.0
	1-1/16	17	2.441					92.1	111.1	9.5	31.7	22.2	8.7	76.2		12.7	50
	1-1/8	18	206														
30	1-3/16	19	D														
	1-1/4	20	72	24AE	3.5	24GE	.7	4.13	5	.38	1.25	.88	.34	3.38	7/16	.50	2.25
	1-5/16	21	2.835					104.8	127.0	9.5	31.7	22.2	8.7	85.7		12.7	57
	1-3/8	22	207														
35	1-7/16	23	E														
	1-7/16	23	80	24AF	3.6	24GF	.8	4.38	5.25	.44	1.44	.88	.34	3.63	7/16	.50	2.38
	1-1/2	24	3.150					111.1	133.4	11.1	36.5	22.2	8.7	92.1		12.7	60
	1-9/16	25	208														
	1-5/8	26	F														
	1-1/2	24	85	24AG	3.2	24GG	.7	4.38	5.25					3.63	1/2	.63	2.75
	1-5/8	26	3.346					111.1	133.4	.44	1.44	.88	.34	92.1		15.9	70
	1-11/16	27	209							11.1	36.5	22.2	8.7	101.6	1/2		
45	1-3/4	28	G	24AG/DSC	5.0	24GG/DSC	.7	4.75	5-3/4					4			
								120.65	146.1								
	1-11/16	27	90	24AH	5.5	24GH	.8	5.13	6.13	.63	1.50	.88	.23	4.25	1/2	.63	3.0
	1-3/4	28	3.543					130.2	155.6	15.9	38.1	22.2	6.0	108.0		15.9	76
	1-13/16	29	210														
	1-7/8	30	211														
50	1-15/16	31	H														
	2	32	100	24AI	5.6	24GI	.85	5.38	6.38	.63	1.50	.88	.19	4.25	1/2	.63	3.25
	1-15/16	31	3.937					136.5	161.9	15.9	38.1	22.2	4.7	114.3		15.9	83
	2-1/16	33	211														
	2-1/8	34	212														
55	2-3/16	35	I														
	2-1/4	36	110	24AJ	8.2	24GJ	1.2	6	7.13	.88	1.88	1	.19	5	9/16	.63	3.4
	2-3/16	35	4.331					152.4	180.9	22.2	47.6	25.4	4.7	127		15.9	86
	2-5/16	37	212														
	2-3/8	38	213														
60	2-7/16	39	J														
	2-1/2	40	125	24AK	9.0	24GK	1.0	6.5	7.63	1	2	1	.11	5.50	9/16	.75	3.8
	2-5/8	42	4.921					165.1	193.7	25.4	50.8	25.4	2.7	132.1		19.1	96
	2-11/16	43	214														
70	2-3/4	44	K														
	2-11/16	43	130	24AL	15.6	24GL	2.4	7.5	8.75	1.13	2.13	1	.13	6.38	11/16	.75	4.13
	2-3/4	44	5.118					190.5	222.2	28.6	54.0	25.4	3.1	161.9		19.1	105
	2-13/16	45	215														
	2-7/8	46	215														
75	2-15/16	47	L														
	3	48	140	24AM	15.4	24GM	2.0	7.5	8.75	1.13	2.13	1	.13	6.38	11/16	.75	4.45
	2-3/4	44	5.511					190.5	222.2	28.6	54.0	25.4	3.1	161.9		19.1	113
	2-7/8	46	216														
80	2-15/16	47	M														
	3	48															
	3-1/8	50															
	3-3/16	51															

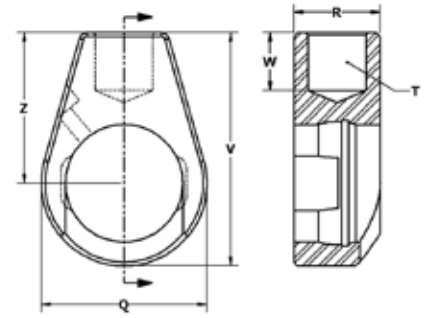


Hanger

Stainless "8" Series Housing



Sample p/n 8AE-01



x = Shaft Size			mm Inch Ring Group	T	Stainless (SS)		Z	V	Q	R	W	DoubleLock® Sleeve	
					Thread	Housing p/n						Wt. in lbs.	F
mm	in	16 ^{ths}					in mm	in mm	in mm	in mm	in mm	in mm	
12	1/2	8	40	1/2 - 14 NPSM	8AA	.8	1.88	2.94	2.13	1.19	.63	0.44	1.49
15	9/16	9	1.575	3/8 - 11 UNC	8AA-01		47.6	74.6	54.0	30.2	15.9	11.2	38
17	5/8	10	203	M12 x 1.75	8AA-03B								
17	11/16	11	A	5/8 - 18	8AA-01A								
12	1/2	8	47	3/4 - 14 NPSM	8AB	1.8	2.5	3.75	2.5	1.44	.75	.50	1.63
15	9/16	9	1.850	5/8 - 11 UNC	8AB-03		63.5	95.2	63.5	36.5	19.1	12.7	41
17	5/8	10	204	M16-2	8AB-03B								
20	11/16	11	B										
25	3/4	12	52	3/4 - 14 NPSM	8AC	1.9	2.5	3.88	2.75	1.44	.75	.50	1.75
25	13/16	13	2.047				63.5	98.4	69.9	36.5	19.1	12.7	44
25	7/8	14	205										
25	15/16	15	C										
30	1	16	62	3/4 - 14 NPSM	8AD	1.9	2.5	4.06	3.13	1.44	.75	.50	2.0
30	1-1/16	17	2.441	5/8 - 11 UNC	8AD-02		63.5	103.2	79.4	36.5	19.1	12.7	50
30	1-1/8	18	206	M16-2	8AD-03								
30	1-3/16	19	D										
35	1-1/4	20	72	3/4 - 14 NPSM	8AE	2.5	2.75	4.56	3.63	1.44	.75	.50	2.25
35	1-5/16	21	2.835	1 - 8 UNC	8AE-01		69.9	115.9	92.1	36.5	19.1	12.7	57
35	1-3/8	22	207	5/8 - 11 NPSM	8AE-02								
35	1-7/16	23	E										
40	1-7/16	23	80	3/4 - 14 NPSM	8AF	2.2	2.88	4.75	3.75	1.44	.75	.50	2.38
40	1-1/2	24	3.150	3/4 - 10 UNC	8AF-01		73.0	120.7	95.2	36.5	19.1	12.7	60
40	1-9/16	25	208										
40	1-5/8	26	F										
45	1-1/2	24	85	1 - 11 1/2 NPSM	8AG	3.5	3.25	5.38	4.25	1.88	.81	.63	2.75
45	1-5/8	26	3.346				82.6	136.5	108.0	47.6	20.6	15.9	70
45	1-11/16	27	209										
45	1-3/4	28	G										
50	1-11/16	27	90	1 - 11 1/2 NPSM	8AH	4.4	3.25	5.5	4.5	1.88	.81	.63	3.0
50	1-3/4	28	3.543	1 - 8 UNC	8AH-01		82.6	139.7	114.3	47.6	20.6	15.9	76
50	1-13/16	29	210										
50	1-7/8	30	H										
55	1-15/16	31	100	1 1/4 - 11 1/4 NPSM	8AI	5.6	3.44	5.94	5	2	1	.63	3.25
55	2	32	3.937	1 1/4 - 7 UNC	8AI-01		87.3	150.8	127.0	50.8	25.4	15.9	83
55	2-1/16	33	211										
55	2-1/8	34	I										
60	2-3/16	35	110	1 1/4 - 11 1/2 NPSM	8AJ	6.1	4	6.81	5.63	2	1.13	.63	3.4
60	2-1/4	36	4.331	1 1/2 - 6 UNC	8AJ-01		101.6	173.0	142.9	50.8	28.6	15.9	86
60	2-5/16	37	212										
60	2-3/8	38	J										
70	2-7/16	39	125	1 1/2 - 11 1/2 NPSM	8AK	6.9	4.63	7.88	6.5	2	1.25	.75	3.8
70	2-1/2	40	4.921				117.5	200.0	165.1	50.8	31.8	19.1	96
70	2-5/8	42	214										
70	2-11/16	43	K										
75	2-3/4	44	130	1 1/2 - 11 1/2 NPSM	8AL	7.2	4.63	7.88	6.5	2	1.25	.75	4.13
75	2-11/16	43	5.118				117.5	200.0	165.1	50.8	31.8	19.1	105
75	2-3/4	44	215										
75	2-13/16	45	L										
80	2-7/8	46	140	1 1/2 - 11 1/2 NPSM	8AM	7.8	4.88	8.31	6.88	2.22	1.25	.75	4.1
80	2-15/16	47	5.511				123.9	211.1	174.7	56.4	31.8	19.1	104.1
80	3	48	216										
80	2-3/4	44	M										



Round 3-Bolt Flange

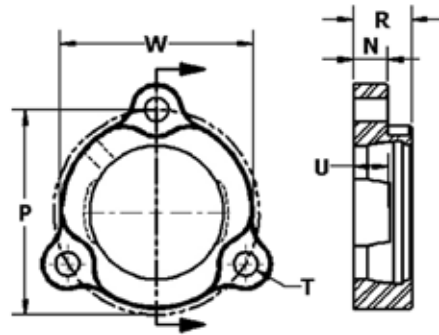
Polymer or Stainless "22" Series Round 3-Bolt Housing



Sample p/n 22AE



Sample p/n 22GE



x = Shaft Size			mm∅ Inch∅ Ring Group	Stainless (SS)			Polymer (KG)			P	W	U	R	T	DoubleLock® Sleeve	
				Housing p/n	N in mm	Wt. in lbs.	Housing p/n	N in mm	Wt. in lbs.						F in mm	K in mm
12	1/2	8	40	22AA	.38	.5	22GA	.38	.1	2.5 63.5	2.4	.43 9.5	.69 17.5	1/4	.44 11.2	1.49 38
15	5/8	10	1.575 203 A	22AA-01	9.5	.5	22GA-01	9.5	.1	2.39 60.7	2.4	.43 9.5	.69 17.5	1/4	.44 11.2	1.49 38
12	1/2	8	47	22AB	.42	.6	22GB	.42	.1	2.81 71.4	2.5	.45 9.5	.78 19.8	5/16	.50 1.27	1.63 41
15	5/8	10	1.850	22AB	12.7	.6	22GB	12.7	.1	2.81 71.4	2.5	.45 9.5	.78 19.8	5/16	.50 1.27	1.63 41
17	11/16	11	204 B	22AB	12.7	.6	22GB	12.7	.1	2.81 71.4	2.5	.45 9.5	.78 19.8	5/16	.50 1.27	1.63 41
20	3/4	12	204 B	22AB	12.7	.6	22GB	12.7	.1	2.81 71.4	2.5	.45 9.5	.78 19.8	5/16	.50 1.27	1.63 41
12	3/4	12	52	22AC	.42	.6	22GC	.50	.12	3 76.2	2.8	.53 9.5	.84 21.4	5/16	.50 1.27	1.75 44
13	13/16	13	2.047	22AC	12.7	.6	22GC	12.7	.12	3 76.2	2.8	.53 9.5	.84 21.4	5/16	.50 1.27	1.75 44
14	7/8	14	205 C	22AC	12.7	.6	22GC	12.7	.12	3 76.2	2.8	.53 9.5	.84 21.4	5/16	.50 1.27	1.75 44
15	15/16	15	205 C	22AC	12.7	.6	22GC	12.7	.12	3 76.2	2.8	.53 9.5	.84 21.4	5/16	.50 1.27	1.75 44
16	1	16	62	22AD	.58	1.1	22GD	.58	.2	3.56 90.5	3.4	.60 11.9	.98 22.2	3/8	.50 1.27	2 50
17	1-1/16	17	2.441	22AD	11.9	1.1	22GD	11.9	.2	3.56 90.5	3.4	.60 11.9	.98 22.2	3/8	.50 1.27	2 50
18	1-1/8	18	206 D	22AD	11.9	1.1	22GD	11.9	.2	3.56 90.5	3.4	.60 11.9	.98 22.2	3/8	.50 1.27	2 50
19	1-3/16	19	206 D	22AD	11.9	1.1	22GD	11.9	.2	3.56 90.5	3.4	.60 11.9	.98 22.2	3/8	.50 1.27	2 50
20	1-1/4	20	72	22AE	.65	1.7	22GE	.65	.23	3.94 100.0	3.7	.70 12.7	1.11 23.8	3/8	.50 12.7	2.25 57
21	1-1/4	20	2.835	22AE	16.7	1.7	22GE	14.3	.23	3.94 100.0	3.7	.70 12.7	1.11 23.8	3/8	.50 12.7	2.25 57
22	1-5/16	21	207 E	22AE	16.7	1.7	22GE	14.3	.23	3.94 100.0	3.7	.70 12.7	1.11 23.8	3/8	.50 12.7	2.25 57
23	1-3/8	22	207 E	22AE	16.7	1.7	22GE	14.3	.23	3.94 100.0	3.7	.70 12.7	1.11 23.8	3/8	.50 12.7	2.25 57
24	1-7/16	23	80	22AF	.65	1.7	--	--	--	4.64 119.1	4.2	.70 12.7	1.12 28.6	1/2	.50 12.7	2.38 60
25	1-1/2	23	3.150	22AF	16.7	1.7	--	--	--	4.64 119.1	4.2	.70 12.7	1.12 28.6	1/2	.50 12.7	2.38 60
26	1-9/16	25	208 F	22AF	16.7	1.7	--	--	--	4.64 119.1	4.2	.70 12.7	1.12 28.6	1/2	.50 12.7	2.38 60
27	1-5/8	26	208 F	22AF	16.7	1.7	--	--	--	4.64 119.1	4.2	.70 12.7	1.12 28.6	1/2	.50 12.7	2.38 60
28	1-1/2	24	85	22AG	.65	2.0	--	--	--	4.75 120.7	4.5	.70 12.7	1.12 1.12	1/2	.63 15.9	2.75 70
29	1-5/8	26	3.346	22AG	16.7	2.0	--	--	--	4.75 120.7	4.5	.70 12.7	1.12 1.12	1/2	.63 15.9	2.75 70
30	1-11/16	27	209 G	22AG	16.7	2.0	--	--	--	4.75 120.7	4.5	.70 12.7	1.12 1.12	1/2	.63 15.9	2.75 70
31	1-3/4	28	209 G	22AG	16.7	2.0	--	--	--	4.75 120.7	4.5	.70 12.7	1.12 1.12	1/2	.63 15.9	2.75 70
32	1-3/4	28	209 G	22AG	16.7	2.0	--	--	--	4.75 120.7	4.5	.70 12.7	1.12 1.12	1/2	.63 15.9	2.75 70
27	1-11/16	27	90	22AH	.63	2.17	--	--	--	5 127.0	4.6	.70 12.7	1.12 28.6	1/2	.63 15.9	3.0 76
28	1-3/4	28	3.543	22AH	15.9	2.17	--	--	--	5 127.0	4.6	.70 12.7	1.12 28.6	1/2	.63 15.9	3.0 76
29	1-13/16	29	210 H	22AH	15.9	2.17	--	--	--	5 127.0	4.6	.70 12.7	1.12 28.6	1/2	.63 15.9	3.0 76
30	1-7/8	30	210 H	22AH	15.9	2.17	--	--	--	5 127.0	4.6	.70 12.7	1.12 28.6	1/2	.63 15.9	3.0 76
31	1-15/16	31	210 H	22AH	15.9	2.17	--	--	--	5 127.0	4.6	.70 12.7	1.12 28.6	1/2	.63 15.9	3.0 76
32	2	32	210 H	22AH	15.9	2.17	--	--	--	5 127.0	4.6	.70 12.7	1.12 28.6	1/2	.63 15.9	3.0 76

Round bolt holes are standard.
*Square bolt holes are available.
If required, please call for
price and lead time.





3-Bolt Extension Flange

Polymer or Stainless "3" Series 3-Bolt Extension Housing

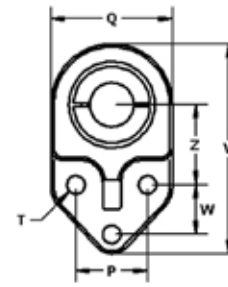


Sample p/n 3AE

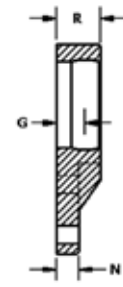


Sample p/n 3GE-QK

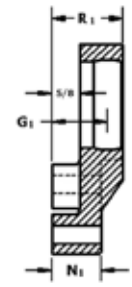
*QuiKlean® adds .625" (5/8") standoff & LTB



Poly-Round®



Standard



QuiKlean®

x = Shaft Size			mm∅ Inch∅ Ring Group	Stainless (SS)					Polymer (KG)					Z	W	Z+W	P	T	R	DoubleLock® Sleeve		
				Housing p/n	V	Q	N	G	Wt. in lbs.	Housing p/n	V	Q	N							G	Wt. in lbs.	F
mm	in	16 ^{ths}		in mm	in mm	N ₁ * in mm	G ₁ * in mm		in mm	in mm	N ₁ * in mm	G ₁ * in mm		in mm	in mm	in mm	in mm	Bolt size	R ₁ * in mm	F in mm	K in mm	
12	1/2	8	40	3.5	2	.25	.53	.6	3GA	3.65	2.19	.44	.53	.1	1.38	.81	2.19	1.25	5/16	.85	0.44	1.49
15	5/8	10	1.575	88.9	50.8	6.4	13.5		3GA-QK	92.9	55.6	1.06	1.15	--	34.9	20.6	55.6	31.8		1.48	11.2	38
17	11/16	11	203 A																	37.4		
12	1/2	8	47	4.25	2.5	.31	.59	1.1	3GB	4.34	2.56	.44	.59	.2	1.68	.89	2.56	1.5	3/8	.95	.50	1.63
15	5/8	10	1.850	108.0	63.5	7.9	14.9		3GB-QK	110.3	65.1	1.06	1.22	.2	42.9	22.2	65	38.1		24.1	12.7	41
17	11/16	11	204 B																	40.0		
20	3/4	12																				
25	3/4	12	52	4.75	2.75	.38	.64	1.4	3GC	4.75	2.75	.50	.63	.3	1.81	1.12	2.94	1.62	3/8	1	.50	1.75
	13/16	13	2.047	120.7	69.9	9.5	16.3		3GC-QK	120.7	69.9	1.12	1.26	.3	46.1	28.6	74.6	41.3		25.4	12.7	44
	14/16	14	205 C																	41.1		
30	1	16	62	5.38	3.12	.38	.66	1.8	3GD	5.44	3.25	.50	.66	.4	2.06	1.25	3.31	1.84	3/8	1.06	.50	2.0
	1-1/8	17	2.441	136.5	79.4	9.5	16.7		3GD-QK	138.1	82.6	1.12	1.28	.5	52.4	31.8	84	47.6		27.1	12.7	50
	1-3/16	18	206 D																	43.0		
	1-1/4	20																				
35	1-3/16	19	72	6	3.63	.50	.79	3.0	3GE	6.19	3.56	.56	.79	.5	2.37	1.25	1.84	2	1/2	1.22	.50	2.25
	1-1/2	20	2.835	152.4	92.1	12.7	20		3GE-QK	157.2	96.9	1.18	1.42	.6	60.3	31.8	92	50.8		31.1	12.7	57
	1-5/16	21	207 E																	46.9		
	1-3/8	22																				
	1-7/16	23																				
40	1-7/16	23	80	6.5	4	.50	.77	3.2	3GF	6.67	4.25	.56	.77	.6	2.56	1.37	3.94	2.25	1/2	1.28	.50	2.38
	1-1/2	24	3.150	165.1	101.6	12.7	19.6		3GF-QK	170.7	108.0	1.19	1.39	.7	65.1	34.9	100	57.2		31.8	12.7	60
	1-9/16	25	208 F																	47.4		
	1-5/8	26																				
45	1-1/2	24	85	6.94	4.25	.50	.76	3.6	3AG	--	--	--	--	--	2.75	1.5	4.25	2.5	1/2	1.24	.63	2.75
	1-5/8	26	3.346	176.2	108.0	12.7	19.8								69.9	38.1	104.8	63.5		31.8	15.9	70
	1-11/16	27	209 G																			
50	1-11/16	27	90	7.41	4.56	.50	.77	4.4	3AH	7.62	4.87	.62	.77	.8	2.94	1.62	4.56	2.75	1/2	1.24	.63	3.0
	1-3/4	28	3.543	188.1	115.9	12.7	19.4								74.6	41.3	115.8	69.9		31.8	15.9	76
	1-13/16	29	210 H																			
	1-7/8	30																				
	1-15/16	31																				
	2	32																				
55	1-15/16	31	100	8.04	4.95	.63	.92	6.4	3AI	8.29	5.37	.69	.92	1.1	3.12	1.75	4.87	3	5/8	1.47	.63	3.25
	2	32	3.937	205.6	128.6	15.9	23.4								79.4	44.5	123.8	76.2		37.3	15.9	83
	2-1/8	34	211 I																			
	2-3/16	35																				
	2-1/4	36																				
60	2-3/16	35	110	8.88	5.63	.63	1.07	8.7	3AJ	9.19	6	.69	1.07	1.8	3.37	2	5.37	3.5	5/8	1.66	.63	3.4
	2-1/4	36	4.331	225.4	142.9	15.9	27.2								85.7	50.8	136.5	88.9		42.1	15.9	86
	2-5/16	37	212 J																			
	2-3/8	38																				
	2-7/16	39																				
70	2-7/16	39	125	10.03	6.47	.63	1.25	12.6	3AK	--	--	--	--	--	3.75	2.37	6.12	4.25	5/8	1.87	.75	3.8
	2-1/2	40	4.921	254.8	163.5	15.9	31.8								95.3	60.3	155.5	108.0		47.6	19.1	96
	2-5/8	42	214 K																			
	2-11/16	43																				
	2-3/4	44																				
75	2-11/16	43	130	10.69	6.5	.75	1.39	13.7	3AL	--	--	--	--	--	4	2.62	6.62	4.25	3/4	2	.75	4.13
	2-3/4	44	5.118	271.5	165.1	19.1	35.2								101.6	66.7	168.3	108.0		50.8	19.1	105
	2-13/16	45	215 L																			
	2-7/8	46																				
	2-15/16	47																				
	3	48																				



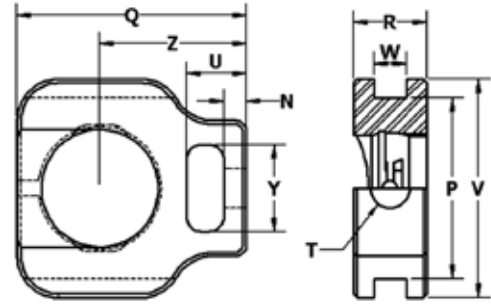
Wide Slot Take-Up

Polymer or Stainless "7" Series Wide Slot Take-Up Housing



Sample p/n 7AE

Sample p/n 7GC



x = Shaft Size			mm∅ Inch∅ Ring Group	Stainless (SS)			Polymer (KG)			P	V	Z	Y		N	W	U	R	T	DoubleLock® Sleeve	
				Housing p/n	Q in mm	Wt. in lbs.	Housing p/n	Q in mm	Wt. in lbs.				Nut Size	in mm						in mm	in mm
12	1/2	8	40	7AA	3.13 79.5	1.4	--	--	--	2.5 63.5	3 76.2	2 50.8	1/2 - 13	1.25 31.8	.31 7.9	.41 10.3	.81 20.6	1 25.4	1/2 - 13	.44 11.2	1.49 38
15	9/16	9	1.575																		
17	5/8	10	203																		
12	1/2	8	47	7AB	3.69 93.7	2.8	7GB	3.69 93.7	.5	3 76.2	3.63 92.1	2.38 60.3	5/8 - 11	1.44 36.5	.44 11.1	.53 13.5	1.06 27.0	1.38 34.9	5/8 - 11	.50 12.7	1.63 41
15	5/8	10	1.850																		
17	11/16	11	204																		
25	3/4	12	52	7AC	3.81 96.8	2.6	7GC	3.81 96.8	.5	3 76.2	3.63 92.1	2.44 61.9	5/8 - 11	1.44 36.5	.44 11.1	.53 13.5	1.06 27.0	1.38 34.9	5/8 - 11	.50 12.7	1.75 44
13	7/8	14	2.047																		
15	15/16	16	205																		
30	1	16	62	7AD	4.38 111.1	4.0	7GD	4.38 111.1	.8	3.5 88.9	4.13 104.8	2.75 69.9	3/4 - 10	1.63 41.3	.38 9.5	.53 13.5	1.16 29.4	1.63 41.3	3/4 - 10	.50 12.7	2.0 50
16	1-1/16	17	2.441																		
18	1-1/8	18	206																		
35	1-3/16	19	72	7AE	4.81 122.2	4.1	7GE	4.81 122.2	.7	3.5 88.9	4.13 104.8	3 76.2	3/4 - 10	1.63 41.3	.38 9.5	.53 13.5	1.16 29.4	1.63 41.3	3/4 - 10	.50 12.7	2.25 57
20	1-1/4	20	2.835																		
21	1-5/16	21	207																		
40	1-7/16	23	80	7AF	5.5 139.7	6.3	7GF	5.5 139.7	1.1	4 101.6	4.5 114.3	3.44 87.3	1 - 8	1.94 49.2	.56 14.3	.69 17.5	1.5 38.1	1.94 49.2	1 - 8	.50 12.7	2.38 60
24	1-1/2	24	3.150																		
25	1-9/16	25	208																		
45	1-5/8	26	85	7AG	5.69 144.5	6.4	7GG	5.69 144.5	1.2	4 101.6	4.63 117.5	3.5 88.9	1 - 8	1.94 49.2	.56 14.3	.69 17.5	1.5 38.1	1.94 49.2	1 - 8	.63 15.9	2.75 70
26	1-5/8	26	3.346																		
27	1-11/16	27	209																		
50	1-3/4	28	90	7AH	5.81 147.6	6.7	7GH	5.81 147.6	1.1	4 101.6	4.75 120.7	3.56 90.5	1	1.94 49.2	.56 14.3	.69 17.5	1.5 38.1	1.94 49.2	1 - 8	.63 15.9	3.0 76
28	1-3/4	28	3.543																		
29	1-13/16	29	210																		
55	1-7/8	30	100	7AI	7.5 190.5	10.8	7GI	7.5 190.5	2.6	5.13 130.2	5.75 149.2	4.69 119.1	1 1/4 - 7	2.5 63.5	.72 18.3	1.06 27.0	1.97 50.0	2.5 63.5	1 1/4 - 7	.63 15.9	3.25 83
31	1-15/16	31	3.937																		
32	2	32	211																		
60	2-3/16	35	110	7AJ	7.5 190.5	13.0	7GJ	7.5 190.5	2.4	5.13 130.2	5.88 149.2	4.69 119.1	1 1/4 - 7	2.5 63.5	.72 18.3	1.06 27.0	1.97 50.0	2.5 63.5	1 1/4 - 7	.63 15.9	3.4 86
36	2-1/4	36	4.331																		
37	2-5/16	37	212																		
70	2-7/16	38	125	7AK	8.88 225.4	14.0	--	--	--	5.94 150.8	6.69 169.9	5.38 136.5	1 1/2 - 6	2.88 73.0	.81 20.6	1.06 27.0	2.31 58.7	2.75 69.9	1 1/2 - 6	.75 19.1	3.8 96
39	2-7/16	39	4.921																		
40	2-1/2	40	214																		
75	2-5/8	42	130	7AL	9.13 231.8	15.0	7GL	9.13 231.8	3.6	5.94 150.8	6.69 169.9	5.5 139.7	1 1/2 - 6	2.88 73.0	.81 20.6	1.06 27.0	2.31 58.7	2.75 69.9	1 1/2 - 6	.75 19.1	4.10 104.1
43	2-3/4	44	5.118																		
44	2-13/16	45	215																		
46	2-7/8	47	130	7AL	9.13 231.8	15.0	7GL	9.13 231.8	3.6	5.94 150.8	6.69 169.9	5.5 139.7	1 1/2 - 6	2.88 73.0	.81 20.6	1.06 27.0	2.31 58.7	2.75 69.9	1 1/2 - 6	.75 19.1	4.10 104.1
47	2-15/16	48	215																		
48	3	48	130	7AL	9.13	15.0	7GL	9.13	3.6	5.94	6.69	5.5	1 1/2 - 6	2.88	.81	1.06	2.31	2.75	1 1/2 - 6	.75	4.10



Narrow Slot Take-Up Housing

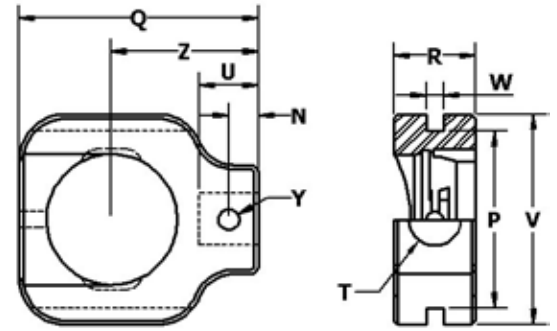
Polymer or Stainless "5" Series Narrow Slot Take-Up Housing



Sample p/n 5AE



Sample p/n 5GE



x = Shaft Size			mm∅ Inch∅ Ring Group	Stainless (SS)			Polymer (KG)			P	V	Z	Y∅	N	W	R	U	T	DoubleLock® Sleeve														
				Housing p/n	Q in mm	Wt. in lbs.	Housing p/n	Q in mm	Wt. in lbs.										in mm	in mm	in mm	Roll Pin	in mm	in	in mm	in mm	Thread Size	in mm	in mm				
12	1/2	8	40	5AA	2.69	.8	--	--	2	2.50	1.69	1/4 x 7/8	.31	1/4	.88	.63	1/2 - 13	.44	1.35														
15	9/16	9	1.575																	in mm	in mm	in mm	in mm	in mm	in mm	in mm	in mm	in mm	in mm	in mm	in mm	in mm	in mm
17	5/8	10	203																	68.3	50.8	63.5	42.9	7.9	22.2	15.9	11.2	34.3					
12	1/2	8	47	5AB	3.44	2.0	5GB	3.44	2.63	3.13	2.19	5/16 x 1 1/4	.44	1/4	1.25	.88	22.2	3/4 - 10	.50	1.63													
15	5/8	10	1.850																		87.3	66.7	79.4	55.5	11.1	31.8	22.2	12.7	41				
17	11/16	11	204																		87.3	66.7	79.4	55.5	11.1	31.8	22.2	12.7	41				
20	3/4	12	204	87.3	66.7	79.4	55.5	11.1	31.8	22.2	12.7	41																					
25	3/4	12	52	5AC	3.56	2.0	5GC	3.56	2.63	3.13	2.19	5/16 x 1 1/4	.44	1/4	1.25	.88	22.2	3/4 - 10	.50	1.75													
13	7/8	14	2.047																		90.5	66.7	79.4	55.5	11.1	31.8	22.2	12.7	44				
15	15/16	15	205																		90.5	66.7	79.4	55.5	11.1	31.8	22.2	12.7	44				
1	16	1	62	5AD	4.31	3.5	5GD	4.31	3.50	4.13	2.69	5/16 x 1 1/4	.50	1/4	1.25	1	25.4	3/4 - 10	.50	2.0													
17	17	17	2.441																		109.5	88.9	104.8	68.3	12.7	31.8	25.4	12.7	50				
18	18	18	206																		109.5	88.9	104.8	68.3	12.7	31.8	25.4	12.7	50				
19	19	19	206	109.5	88.9	104.8	68.3	12.7	31.8	25.4	12.7	50																					
20	20	20	206	109.5	88.9	104.8	68.3	12.7	31.8	25.4	12.7	50																					
30	1-3/16	19	72	5AE	4.50	3.2	5GE	4.50	3.50	4.13	2.69	5/16 x 1 1/4	.50	1/4	1.25	1	25.4	3/4 - 10	.50	2.25													
21	21	21	2.835																		114.3	88.9	104.8	68.3	12.7	31.8	25.4	12.7	57				
22	22	22	207																		114.3	88.9	104.8	68.3	12.7	31.8	25.4	12.7	57				
23	23	23	207	114.3	88.9	104.8	68.3	12.7	31.8	25.4	12.7	57																					
35	1-7/16	23	80	5AF	5.38	5.6	5GF	5.38	4	4.75	3.25	3/8 x 1 1/2	.66	5/16	1.25	1.12	29.4	7/8 - 9	.50	2.38													
24	24	24	3.150																		136.5	101.6	120.7	82.6	16.7	31.8	29.4	12.7	60				
25	25	25	208																		136.5	101.6	120.7	82.6	16.7	31.8	29.4	12.7	60				
26	26	26	208	136.5	101.6	120.7	82.6	16.7	31.8	29.4	12.7	60																					
40	1-1/2	24	85	5AG	5.44	5.3	5GG	5.38	4	4.75	3.25	3/8 x 1 1/2	.66	5/16	1.25	1.16	29.4	7/8 - 9	.63	2.75													
27	27	27	3.346																		138.1	101.6	120.7	82.6	16.7	31.8	29.4	15.9	70				
28	28	28	209																		138.1	101.6	120.7	82.6	16.7	31.8	29.4	15.9	70				
45	1-11/16	27	90	5AH	5.5	5.2	5GH	5.5	4	4.75	3.25	3/8 x 1 1/2	.66	5/16	1.25	1.16	29.4	7/8 - 9	.63	3.0													
29	29	29	3.543																		139.7	101.6	120.7	82.6	16.7	31.8	29.4	15.9	76				
30	30	30	210																		139.7	101.6	120.7	82.6	16.7	31.8	29.4	15.9	76				
50	1-15/16	31	110	5AI	6.13	7.4	N/A	--	4.44	5.38	3.63	7/16 x 1 3/4	.69	5/16	1.75	1.28	32.5	1 - 8	.63	3.25													
32	32	32	3.937																		155.6	112.7	136.5	92.1	17.5	44.5	32.5	15.9	83				
33	33	33	211																		155.6	112.7	136.5	92.1	17.5	44.5	32.5	15.9	83				
55	2-1/8	34	110	5AJ	6.69	8.0	N/A	--	4.94	5.75	3.88	7/16 x 1 3/4	.69	5/16	1.75	1.28	32.5	1 - 8	.63	3.4													
34	34	34	4.331																		169.9	125.4	146.1	98.4	17.5	44.5	32.5	15.9	86				
35	35	35	212																		169.9	125.4	146.1	98.4	17.5	44.5	32.5	15.9	86				
60	2-3/8	38	125	5AK	7.38	8.5	5GK	7.38	5.50	6.38	4.94	1/2 x 1 7/8	.75	3/8	1.88	1.50	38.1	1 1/4 - 7	.75	3.8													
36	36	36	4.921																		187.3	139.7	161.9	109.5	19.1	47.6	38.1	19.1	96				
37	37	37	214																		187.3	139.7	161.9	109.5	19.1	47.6	38.1	19.1	96				
70	2-11/16	43	130	5AL	7.69	9.2	5GL	7.69	5.88	6.75	4.44	1/2 x 1 7/8	.75	3/8	1.88	1.50	38.1	1 1/4 - 7	.75	4.13													
38	38	38	5.118																		195.3	149.2	171.5	112.7	19.1	47.6	38.1	19.1	105				
39	39	39	215																		195.3	149.2	171.5	112.7	19.1	47.6	38.1	19.1	105				
75	2-15/16	47	130	5AL	7.69	9.2	5GL	7.69	5.88	6.75	4.44	1/2 x 1 7/8	.75	3/8	1.88	1.50	38.1	1 1/4 - 7	.75	4.13													
40	40	40	5.118																		195.3	149.2	171.5	112.7	19.1	47.6	38.1	19.1	105				
41	41	41	215																		195.3	149.2	171.5	112.7	19.1	47.6	38.1	19.1	105				
42	42	42	215	195.3	149.2	171.5	112.7	19.1	47.6	38.1	19.1	105																					
43	43	43	215	195.3	149.2	171.5	112.7	19.1	47.6	38.1	19.1	105																					
44	44	44	215	195.3	149.2	171.5	112.7	19.1	47.6	38.1	19.1	105																					
45	45	45	215	195.3	149.2	171.5	112.7	19.1	47.6	38.1	19.1	105																					
46	46	46	215	195.3	149.2	171.5	112.7	19.1	47.6	38.1	19.1	105																					
47	47	47	215	195.3	149.2	171.5	112.7	19.1	47.6	38.1	19.1	105																					
48	48	48	215	195.3	149.2	171.5	112.7	19.1	47.6	38.1	19.1	105																					