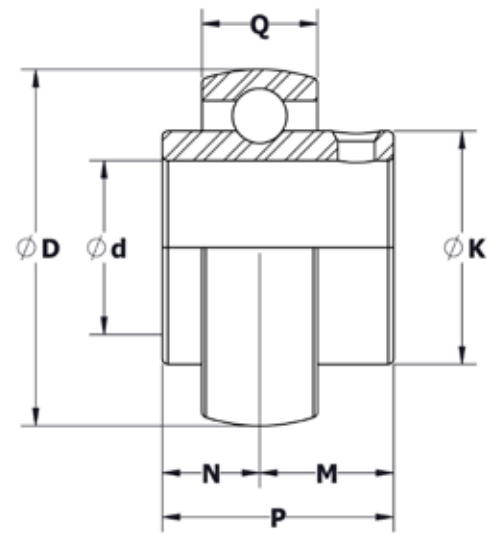


Set Screw Style Ball Bearing - VALUE SERIES



Series "4B"

Available as insert only or assembled in housing



Available styles	Set screw (B)
Races and balls	440C SS
Retainer (cage), flinger	300-series SS
Seals	Buna-N
Set screws (at 120°)	300-series SS
Grade of balls	G16
Grease	Food-grade grease or solid lubricant that is flush-filled ("open")



More Sizes / Styles
 Inserts pgs F-5 to F-9
 Eccentric inserts in SS or KG: pgs F-10 to F-34
 QuiKlean® eccentric: pgs F-34 to F-47
 Set screw inserts in SS or KG: pgs F-48 to F-72
 QuiKlean® set screw: pgs F-72 to F-85

"x" indicates a 2-letter designation for lube & seals

Part #	Ød	ØD	ØK	M	N	P	Q	2 ea ss set screw	Wt.
	Shaft Diameter	in. mm	in. mm	in. mm	in. mm	in. mm	in. mm		lbs.
4B204-12 X 4B204-20M X	12mm 20mm	1.850 47	1.14 29.0	0.72 18.3	0.50 12.7	1.22 31.0	0.63 16.0	1/4-28	0.35
4B205-25M 6 X 4B205-16 6 X	25mm 1"	2.047 52	1.34 34.0	0.78 19.7	0.56 14.3	1.34 34.0	0.67 17.0	1/4-28	0.40
4B206-30M X 4B206-19 X 4B206-20 X	30mm 1-3/16" 1-1/4"	2.441 62	1.59 40.5	0.87 22.2	0.63 15.9	1.50 38.1	0.75 19.0	5/16-24	0.67
4B207-20 X 4B207-35M X 4B207-23 X	1-3/16" 35mm 1-7/16"	2.835 72	1.84 46.8	1.00 25.4	0.69 17.5	1.69 42.9	0.79 20.0	5/16-24	1.10
4B208-24 X 4B208-40M X	1-1/2" 40mm	3.150 80	2.08 52.8	1.19 30.2	0.75 19.0	1.94 49.2	0.83 21.0	5/16-24	1.41
4B209	Available for special order	3.346 85	2.31 58.6	1.19 30.2	0.75 19.0	1.94 49.2	0.87 22.0	5/16-24	1.48
4B210	Available for special order	3.543 90	2.45 62.2	1.28 32.6	0.75 19.0	2.03 51.6	0.91 23.0	5/16-24	1.68
4B211	Available for special order	3.937 100	2.76 70.0	1.32 33.4	0.87 22.2	2.19 55.6	0.95 24.0	3/8-24	2.2
4B212	Available for special order	4.331 110	3.03 77.0	1.56 39.7	1.00 25.4	2.56 65.1	1.02 26.0	3/8-24	3.0

X indicates a 2-letter designation for lube & seals
 G = food grade grease X = standard configuration
 F = food grade EPL O = open (no seal or flinger)
 Other alpha - refer to page 3 Others - refer to page 3
 Example: GX = food grade grease with standard seals & flingers

